

KLEIBERIT 703.1



WHITE GOODS – TABLE TOP PERFECTLY BONDED

White goods are household appliances such as washing machines, tumble dryers, dishwashers, refrigerators, etc., that are in daily use and expected to have a very long service life. Washing machines and dishwashers, for instance, have to endure stresses such as vibrations, heat and moisture. The adhesives used in such products play a key role in achieving a long life cycle.

Our adhesives are mainly used on the fronts and surfaces of household appliances. In table top bonding, a coated chipboard is glued to a robust and impact-resistant ABS frame, and the edge joints are sealed with a tough elastic PUR hotmelt. This provides a stable bond that can withstand all kinds of loads and stresses during use.

FIELDS OF APPLICATION

White goods are manufactured in highly automated production lines. Our KLEIBERIT 703.1 is suitable for use with robots and ideal for mechanical table-top bonding of white goods. The reactive PUR hotmelt reacts with the moisture on the glued materials and that of the air. As the adhesive cools down and turns solid, both physical curing and chemical cross-linking take place, positively influencing the properties of the bond.

ADVANTAGES

- very high initial strength
- very good adhesion
- no blistering
- good processing with adhesive robot

When properly processed, the elastic adhesive joint will last over the entire life cycle of the table top.



CHARACTERISTICS

No bubbling

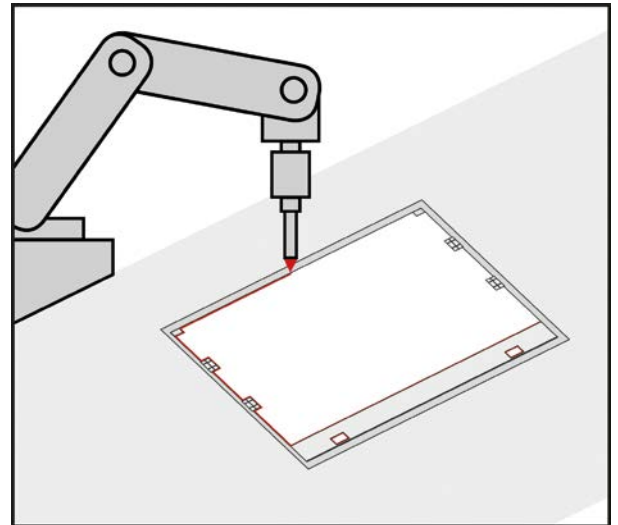
Bubbling can be completely avoided with KLEIBERIT 703.1. An appropriate bead diameter (ca. 3 mm) prevents bubble formation and ensures uniform curing.

Initial strength

KLEIBERIT 703.1 has a very high initial strength. A strength sufficient for handling can be achieved after approx. 2 min. The open time is perfectly adapted to the bonding process.

Adhesion

The adhesion to the ABS frame and chipboard is very good with KLEIBERIT 703.1. The elastic glue line prevents stress cracking in the component.



Schematic drawing of bead application with a robot.

KLEIBERIT 703.1 REACTIVE PUR HOTMELT	
Product	703.1
Color	white
Hardness Shore D	30
After 7 days storage at 20 °C/50% rel. humidity (approx. 3 mm bead)	no bubbling
Afterwards 1h storage at 80 °C/80% rel. humidity (approx. 3 mm bead)	no bubbling
Open time (3 mm bead, application temperature 125°C)	30 sec
Adhesion to chipboard	very good / material break
Adhesion to ABS frame	very good
Handling strength (application temperature 125°C)	after 2 min

COMPREHENSIVE SERVICE, HIGHEST QUALITY STANDARDS AND RELIABLE DELIVERY

Intensive research, competent development and customer oriented application technology are the foundation for the enormous success of KLEIBERIT adhesive systems in a variety of applications. Customers worldwide rely on the know-how resulting from decades of experience in the area of PUR adhesives and their applications.

Reactive PUR hotmelt adhesives, made in Germany, have gained a leading position in the global market and have made KLEIBERIT a global trendsetter in all matters concerning bonding.

CUSTOMER SATISFACTION

Every customer is number one with us. On the road in many markets and all regions of the world, we speak almost every national language and are directly on site via a comprehensive service and consulting network. By working closely with machine and material manufacturers, we offer practical and innovative adhesive systems which meet a wide variety of international standards and norms.

OUR QUALITY, ENVIRONMENTAL AND ENERGY STANDARD

KLEIBERIT places high value on production quality, customer service and sustainability. We have these requirements confirmed on an annual basis by an external and independent audit team according to ISO 9001, ISO 50001 and ISO 14001.